

# MTM - 1kN Dynamic Testing Machine

## Applications

- Static and dynamic material- and component testing
- Tension- and pressure testing
- Quality control
- Life cycle analysis

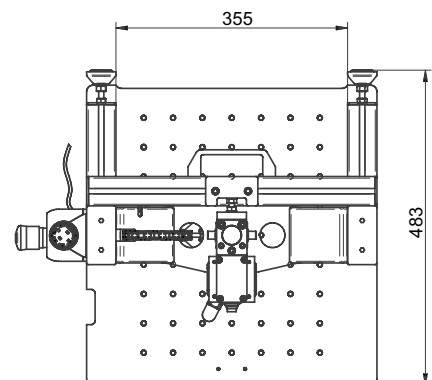
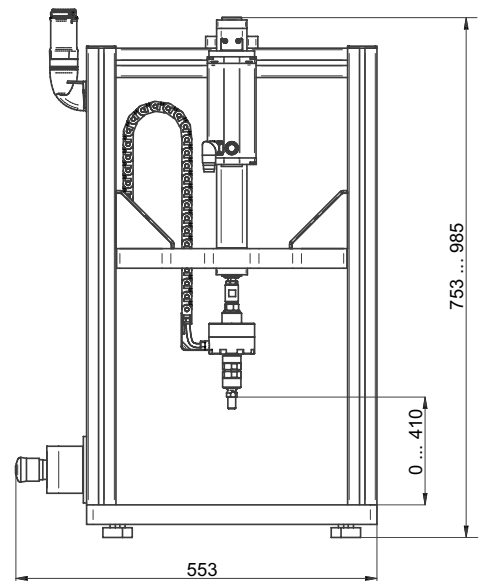
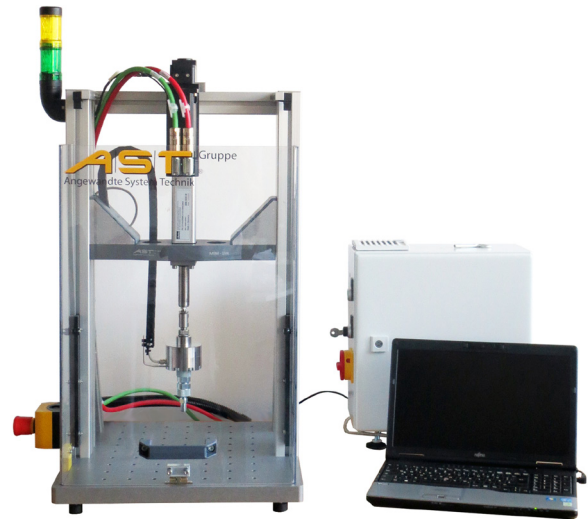
## Features

- Steady, variable 2-column frame with perforated baseplate
- Precision linear unit with ball screw
- Signals: time, force and position (optional: switching signal)
- Measurement set up horizontal or vertical
- Compact signal and control cabinet
- GUI and test sequence according to customer's request
- Test space adjustable

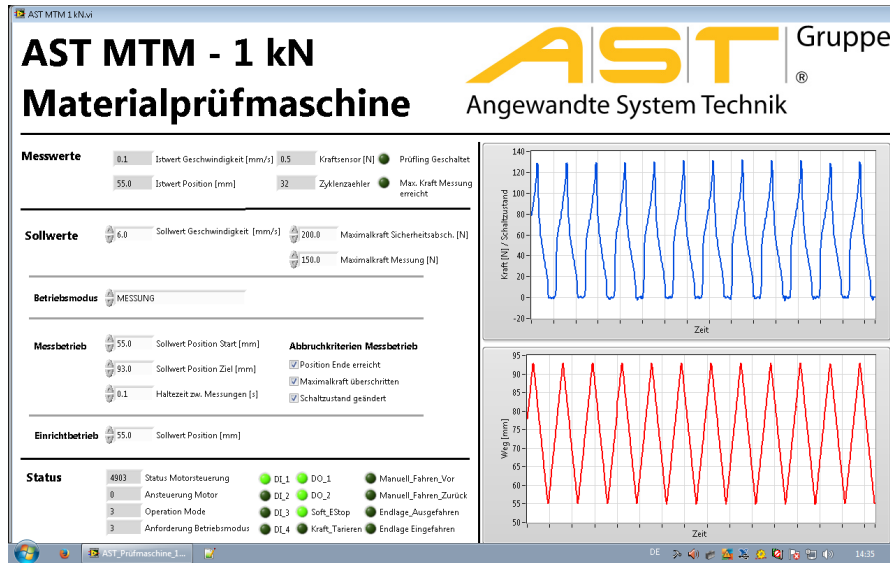
## Options

- Customized dimensions and forces possible

## Dimensions (mm)



## PC-Display



easy adjustment of speed and displacement

## Specifications

Specifications		
Max. force static (nominal)	kN	2 kN
Max. force dynamic	kN	1 kN @ 2500 km life cycle
Accuracy force	kN	0.1 % der max. nominal load
Max. stroke	mm	175
Repeatability (ISO230-2)	mm	± 0.05
Max. movement speed	mm/s	333
Cycle time	s	1.5 @ 20 mm distance
CAN-Bus data cycle	Hz	100
Environmental Conditions		
Nominal temperature range	°C	-10 ... 40
Communication		
Ethernet (PLC)		
PC		
Operating Voltage		
Supply voltage	VAC	100 ... 240
Konstruktion		
Dimensions testing room (W x D x H)	mm	355 x 430+ x 410
Dimensions total (W x D x H)	mm	553 x 483+ x 985
Weight	kg	38

## Order Example

Type Code	Description
MTM/1kN	Dynamic testing machine 1kN