

KSW-2R Wire Rope Overload Guard

Applications

- Sensor for measuring of loads at fixed wire ropes

Features

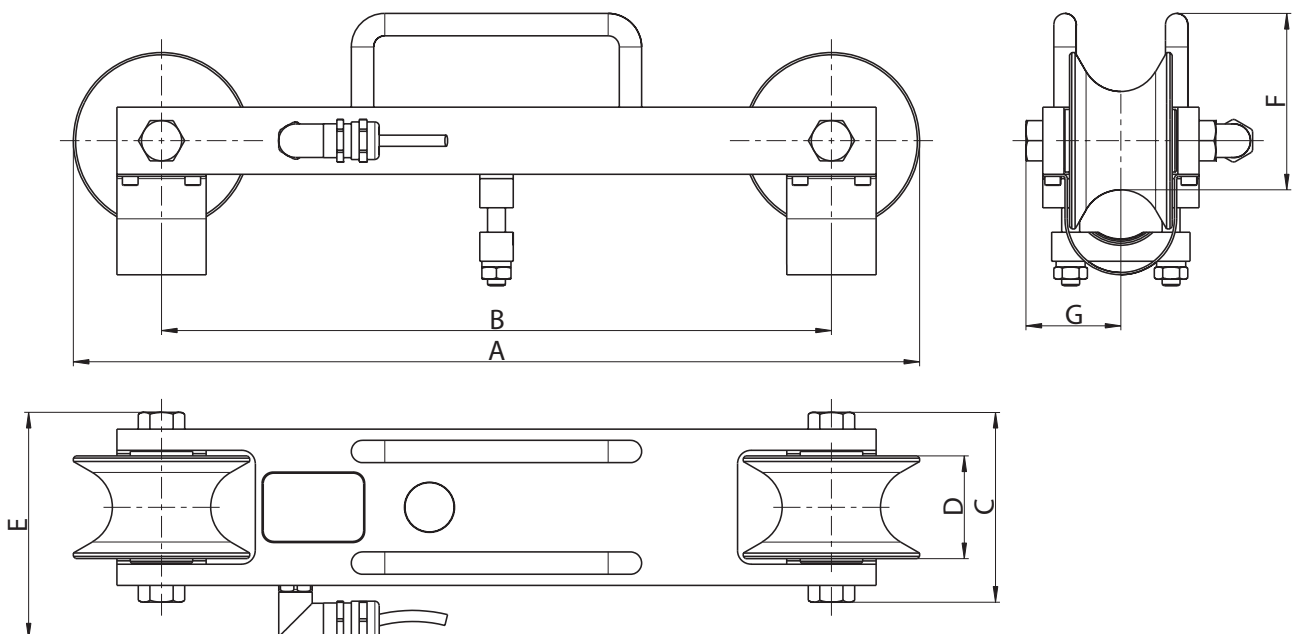
- Size KSW-2R36 for rope diameter 16mm to 36mm, maximum rope load 200kN
- Size KSW-2R44 for rope diameter 36mm to 44mm, maximum rope load 500kN
- Standard output signal 4 ... 20mA
- Made of stainless steel

Options

- CANopen interface

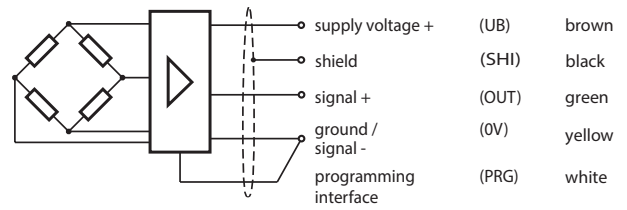


Dimensions (mm)



Type Code	A (mm)	B (mm)	C (mm)	D (mm)	E (mm)	F (mm)	G (mm)	Weight
KSW-2R36	379	300	85	46	102	79	42.5	approx. 7.5kg
KSW-2R44	534	440	115	51	131	93	57.5	approx. 12kg

Wiring Code
Cable length 3m



(0V and PRG to be connected by the customer)

Specifications

Accuracy Class	% F _{nom}	3 - 5 % (Depending on Wire Rope Properties)	
Type		KSW-2R36	KSW-2R44
Rope diameter	mm	16 to 36	36 to 44
Rated load (rope tension)	kN	80 ... 200	150 ... 500
Reference temperature (T _{ref})	°C	+23	
Rated temperature range (B _{T,nom})	°C	-20 ... +70	
Storage temperature range (B _{T,s})	°C	-40 ... +70	
Environmental protection		IP65	
Supply voltage	VDC	12 ... 30	
Input current	mA	35	
Signal for current output	mA	4 ... 20	
Maximum resistance	Ω	300	

Mounting Instructions

1. Make sure the rope is free of load.
2. Apply transducer to the rope and clamp the rope in the centre in a way that the rope cannot move along the sensor. Do not deformed the rope too much.
3. Connect the cables.
4. Apply max. load for several times and check the clamping, afterwards re-tighten if necessary.
5. Calibrate the system if necessary (rated load, switch point etc.).

Order Example

Type Code	Description
<u>KSW-2R36/160kN/D25/4-20mA</u>	Wire rope guard 36mm with 160kN rated load Amplifier 4 ... 20 mA Rope diameter in mm Rated load / rope load Model
<u>KSW-2R44/250kN/D40/1mV/V</u>	Wire rope guard 44mm with 250kN rated load 1mV/V Rope diameter in mm Rated load / rope load Model

Accessoires (incl. in scope of delivery)

	Description
1 piece	Calibration certificate

Options

	Type Code	Description
Cable	XKC 042	Cable extension
DMS-Signal	Look at order example	Look at order example