

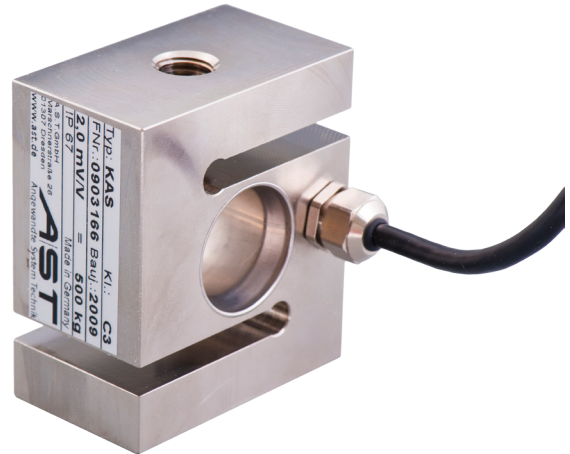
KAS Load Cell

Applications

- For calibrable version scales class III (PTB-test report)
- Building materials and hopper scales

Features

- 0.5t up to 5t
- OIML approved (PTB-test report up to 2t)
- High accuracy
- Made from stainless steel
- Hermetically sealed enclosure (IP 67)
- Appliances for easy mounting

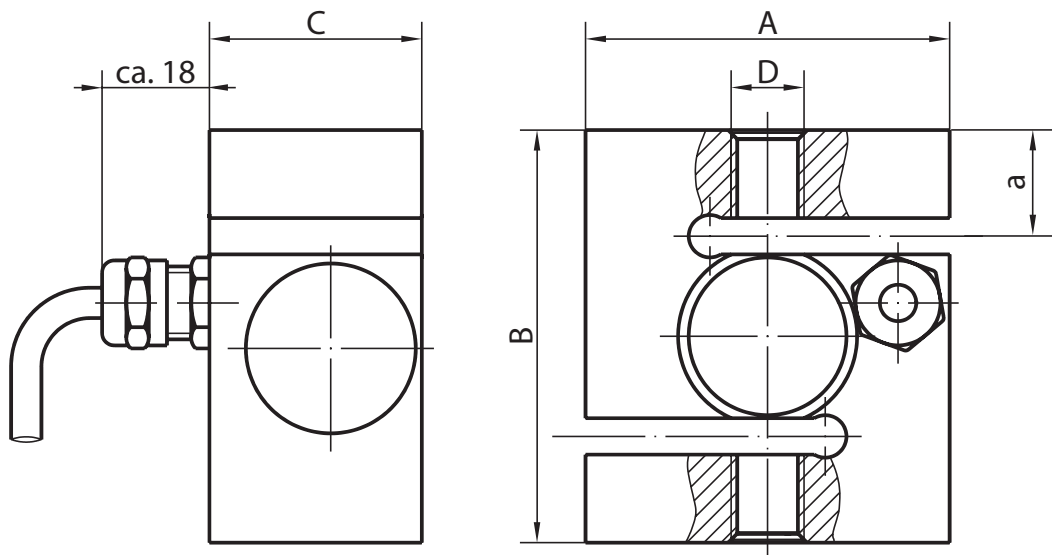


Options

- ATEX-Certificate



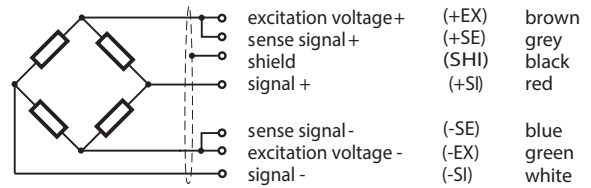
Dimensions (mm)



Rated Load (t)	a	A	B	C	D	Weight	Displacement at Rated Load
0.5	15.7	60	68	35	M12	1.0kg	0.12mm
1.0	16.3	60	68	35	M12	1.0kg	0.20mm
2.0	21.2	68	78	38	M20x1.5	1.3kg	0.25mm
5.0	22.5	68	78	38	M24x2	1.3kg	0.55mm

Wiring Code

Cable length 3m



Compressive load is positive change of signal.

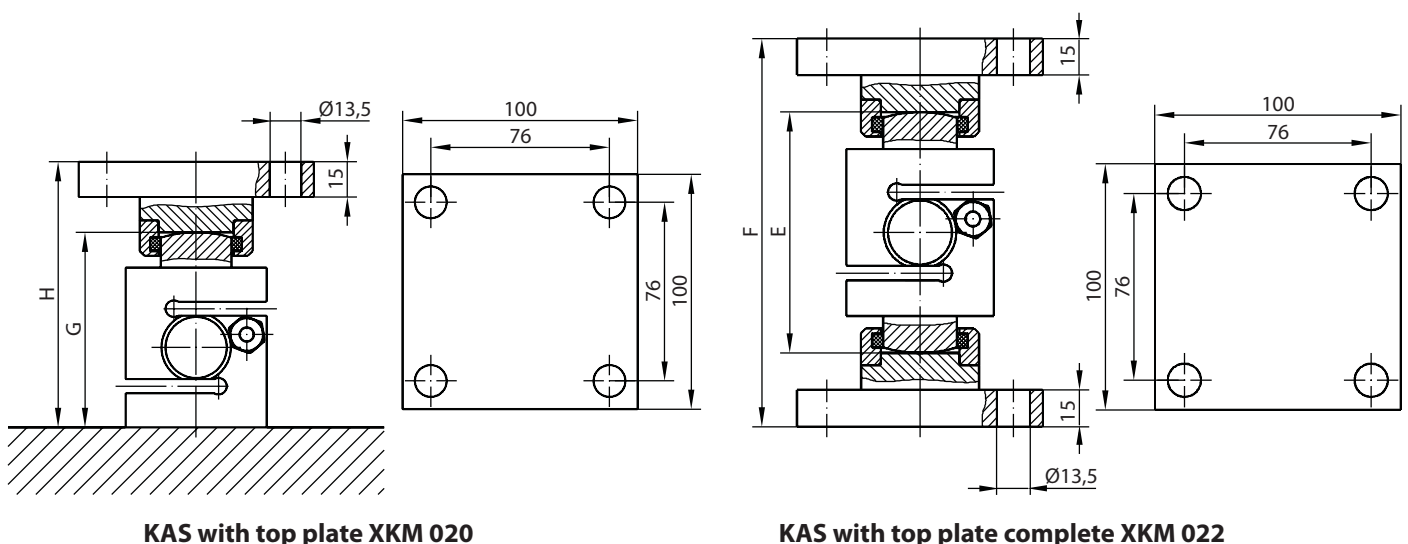
Specifications

Accuracy Class	% F _{nom}	C1	C3*
Rated load (E _{max})	t	0.5/ 1/ 2/ 5	
Maximum operating load (E _u)	% E _{max}	150	
Breaking load (E _d)	% E _{max}	>300	
Transverse load limit (E _{iq})	% E _{max}	10	
Minimum range of use	% E _{max}	50	
Rated characteristic value (C _n)	mV/V	2.000 ± 0.002	
Relative deviation of zero signal	%	≤1	
Reference excitation voltage (U _{ref})	VDC	12	
Input resistance (R _{LC})	Ω	380 ± 30	
Output resistance (R _O)	Ω	352 ± 1.5	
Insulation resistance (R _{IS})	Ω	> 5 x 10 ⁹	
Combined error	%	≤ 0.030	≤ 0.021
Changeability	%	≤ 0.030	≤ 0.010
Temperature effect on zero signal (TK _{S0})	%/10K	≤ 0.070	≤ 0.023
Temperature effect on characteristic value (TK _C)	%/10K	≤ 0.017	≤ 0.008
Relative creep over 30 minutes (d _{cr})	%	≤ 0.05	≤ 0.017
Reference temperature (T _{ref})	°C	+23	
Rated temperature range (B _T)	°C	-10 ... +40	
Operating temperature range (B _{Tu})	°C	-30 ... +70	
Storage temperature range (B _{Tl})	°C	-40 ... +70	
Environmental protection (EN 60529)		IP 67	

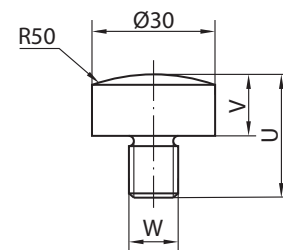
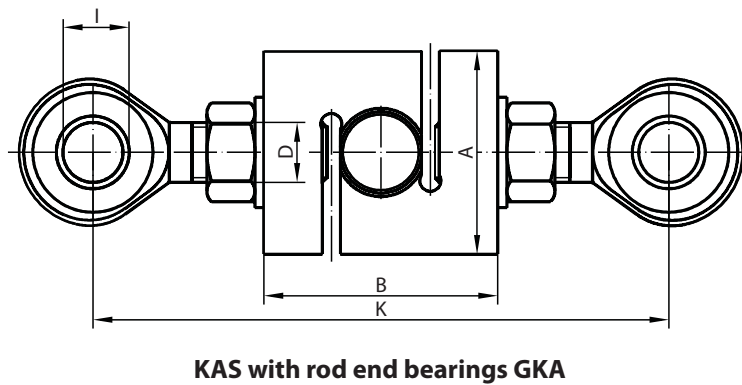
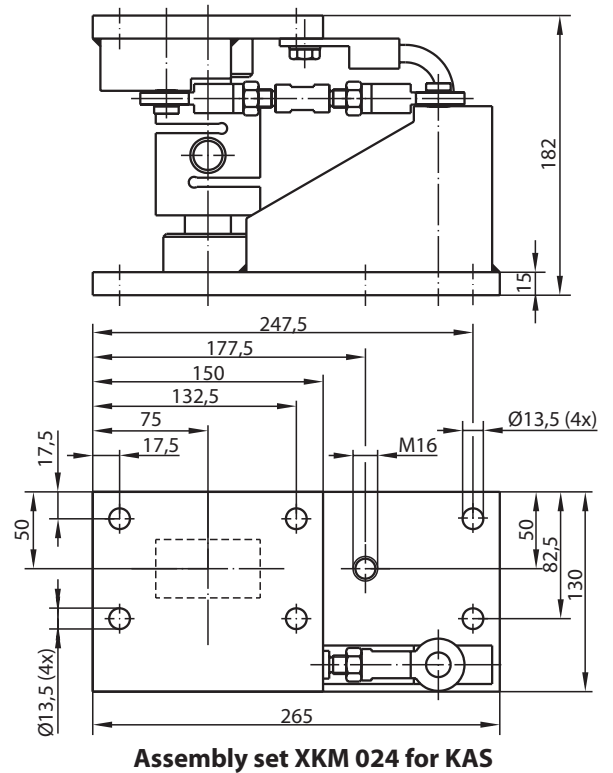
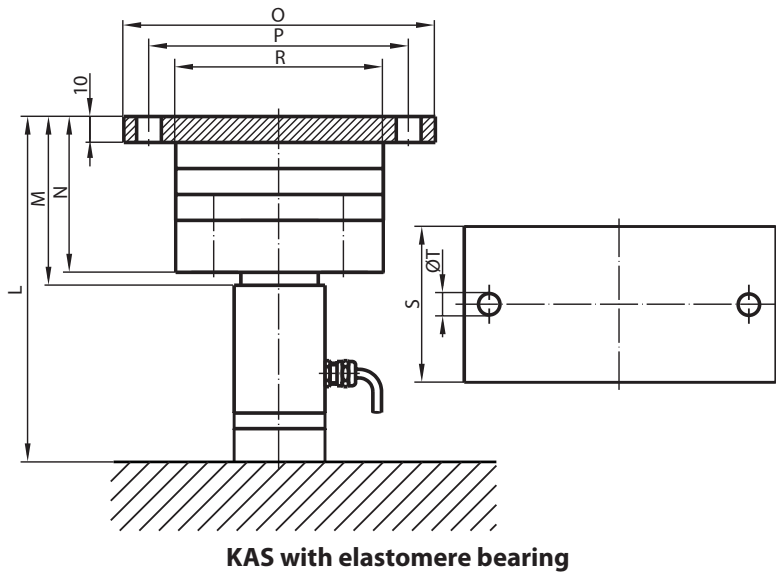
All data according to VDI/DVE/DKD 2637

*) Test certificate No D09-96.09 for KAS with rated load 0,5t, 1t and 2t

Appliances for Installation and Mounting (Dimensions in mm)



Appliances for Installation and Mounting (Dimensions in mm)



Rated Load	XKM	U	V	W
0.5t up to 1t	XKM 019	29	15	M12
2t	XKM 043	40	22	M20x1.5
5t	XKM 044	42	22	M24x2

Rated Load	E	F	G	H	I	K	L	M	N	O	P	R	S	T
0.5t up to 1t	98	158	83	113	12 ^{+0.018}	appr. 146	133	65	60	120	100	80	60	9
2t	122	182	100	130	20 ^{+0.021}	appr. 192	143	65	60	120	100	80	60	9
5t	122	182	100	130	25 ^{+0.021}	appr. 224	155	77	72	150	125	100	100	11

Order Example

Type Code	Description
KAS/2t/C1	Load cell 2t with accuracy class C1
	Accuracy class
	Rated load
	Model

Accessoires/ Options

	Type Code	Description
Load button	XKM 019 XKM 043 XKM 044	K12-50 for 0.5t up to 1t K20-50 for 2t K24-50 for 5t
Elastomere bearing	XKM 066 XKM 068.01 XKM 068.02 XKM 068.03	for 5t for 0.5t for 1t for 2t transverse stiffness 1200 N/mm transverse stiffness 3000 N/mm transverse stiffness 3000 N/mm
Hinged column	XKM 020.01 XKM 020.02 XKM 020.03 XKM 022.01 XKM 022.02 XKM 022.03	top plate incl. load button for 0.5t up to 1t top plate incl. load button for 2t top plate incl. load button for 5t top plate complete incl. load buttons for 0.5t up to 1t top plate complete incl. load buttons for 2t top plate complete incl. load buttons for 5t
Rod end bearing	GKA 12 GKA 20 GKA 25	male thread with jam nut for 0.5t up to 1t male thread with jam nut for 2t male thread with jam nut for 5t
Assembly set	XKM 024.01 XKM 024.02 XKM 024.03	for 0.5t up to 1t with trailing arm for 2t with trailing arm for 5t with trailing arm max. transverse load < 0.5t max. transverse load <2t max. transverse load <2t
Protective cable	XKC 024	for KAS
ATEX-Certificate	KAS-EX	for 0.5t, 1t, 2t, 5t. Please see ATEX data sheet!