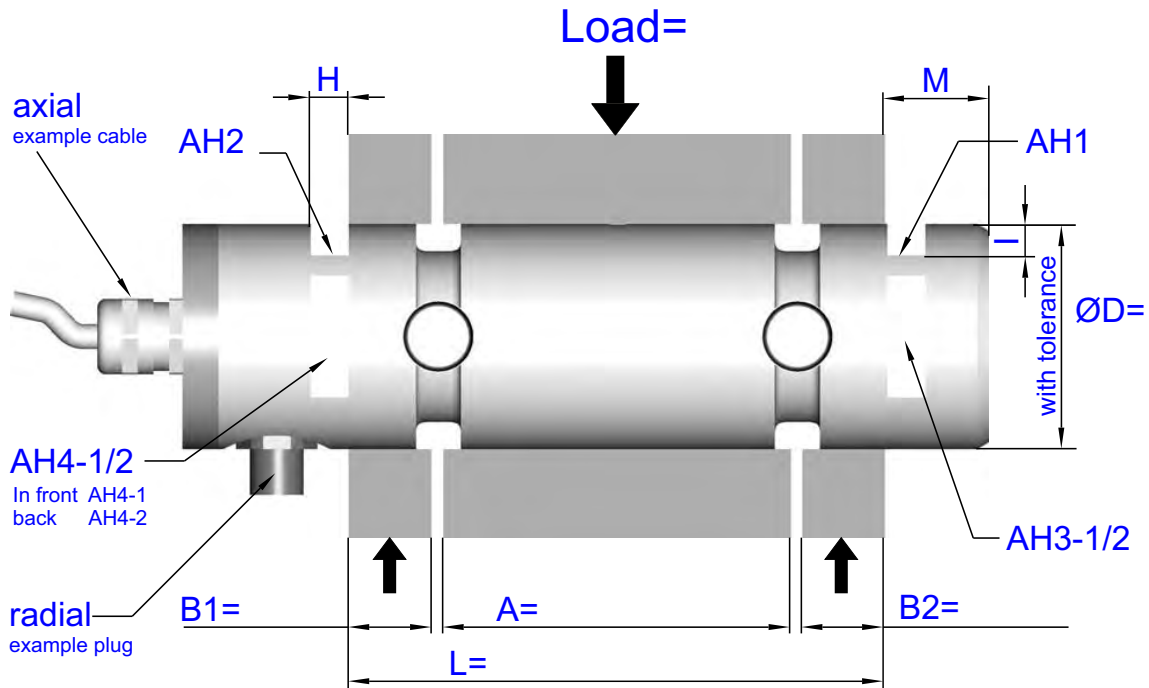


**Customised Load measuring pin
KAL / KAL-E**



Axle holder by DIN 15058

D	H	I	M
> 20... 25	5.2	4.0...4.5	10
> 25... 40	6.2	4.5...6.5	12
> 40... 50	8.3	6.5...7.0	15
> 50... 63	8.3	7.0...9.5	16
> 63...100	10.5	10...14	20
>100...160	13	15...20	25

Position for axle holder

AH1	AH2	AH3/1	AH3/2	AH4/1	AH4/2

Output

Fixed cable on the sensor	<input type="checkbox"/>	Plug	M12	<input type="checkbox"/>	other	
Connection cable	<input type="checkbox"/>	m				
Output signal	<input type="checkbox"/>	mV/V	<input type="checkbox"/>	CANopen		
	<input type="checkbox"/>	4-20mA (3-wire)	<input type="checkbox"/>	0 ... 10V	<input type="checkbox"/>	other

Option

Grease drilling	<input type="checkbox"/>		ATEX	Zone 0	Zone 20
Redundant system	<input type="checkbox"/>			Zone 1	Zone 21
SIL 2	<input type="checkbox"/>	2 x 4 ... 20mA		Zone 2	Zone 22
SIL 3	<input type="checkbox"/>	2 x 4 ... 20mA		no	
	<input type="checkbox"/>	no			