

# XKC 285 Bus Connection Node

## Applications

- Connection of digital load cells
- RS485 for digital load cells

## Features

- Easy to install
- Gate turn off terminating resistors
- Safety circuit voltage output
- LED-voltage indicator

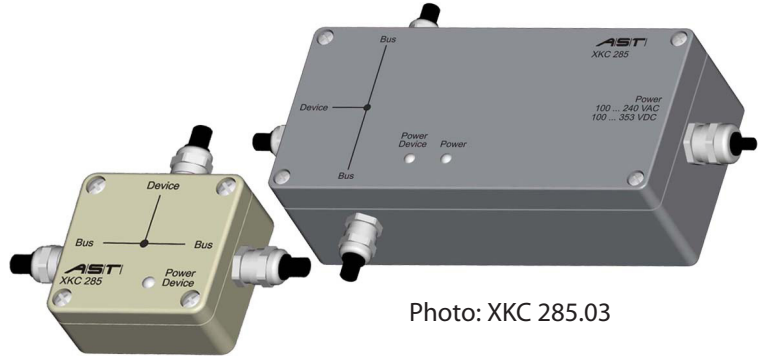
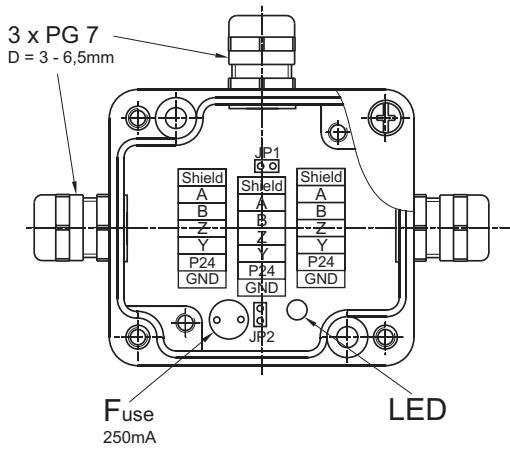


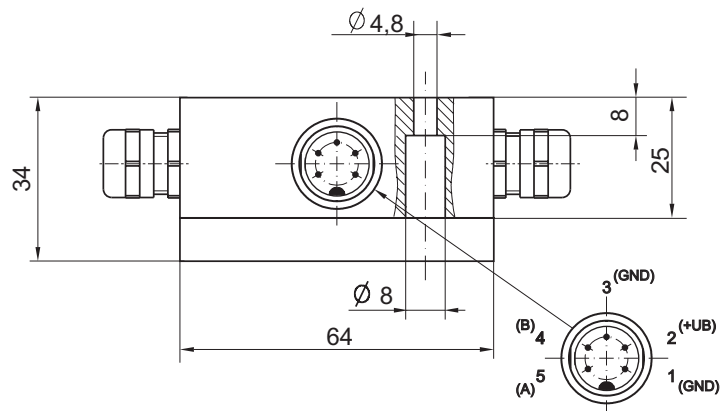
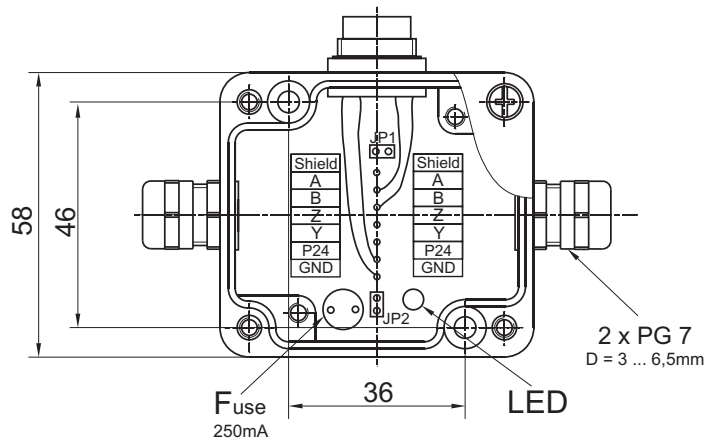
Photo: XKC 285.03

Photo: XKC 285.01

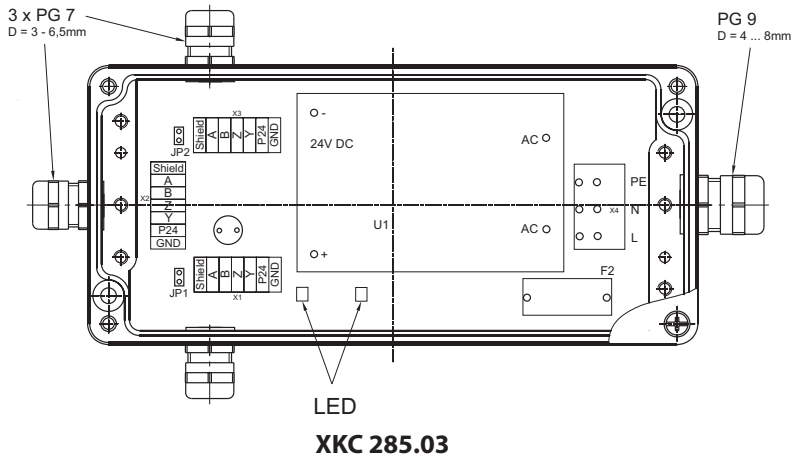
## Dimensions / Connections



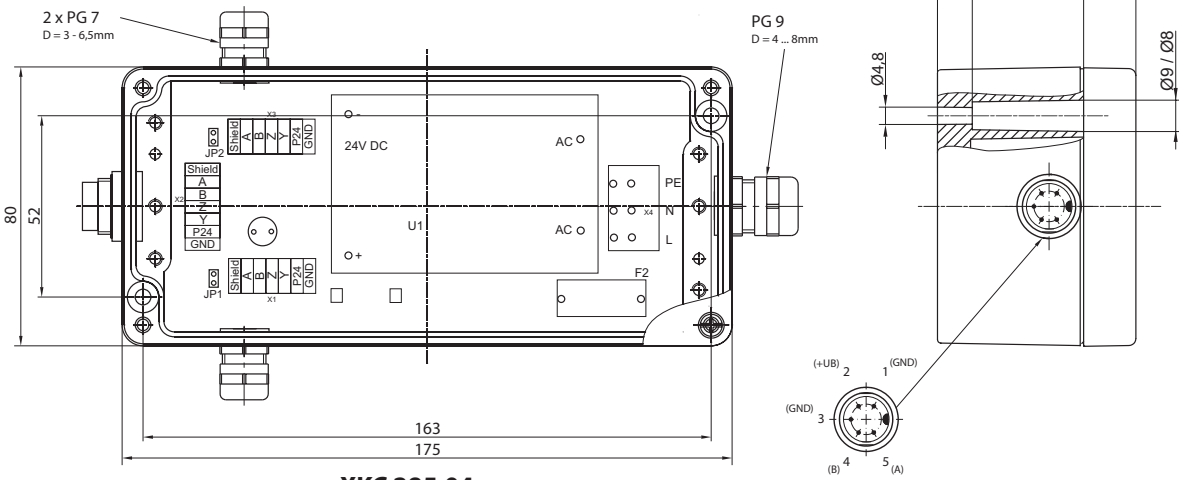
**XKC 285.01**



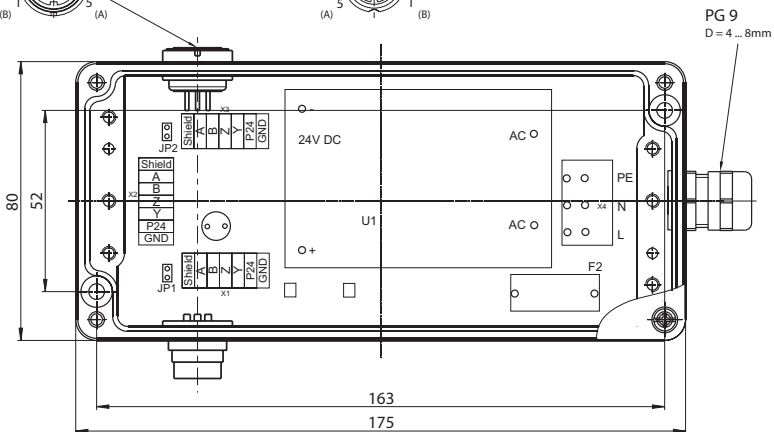
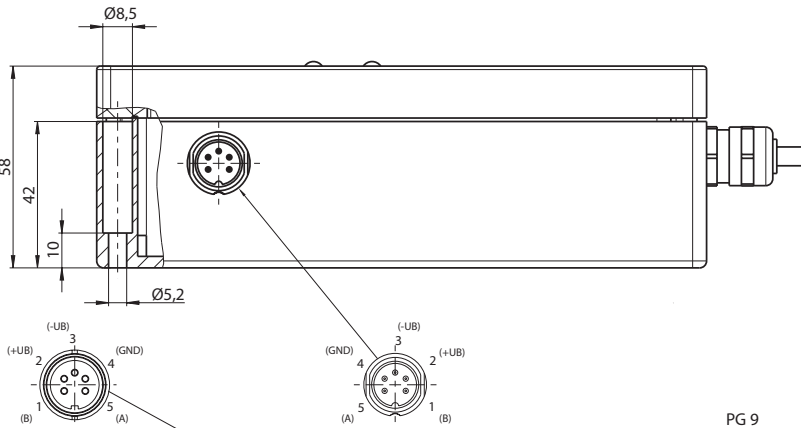
**XKC 285.02**



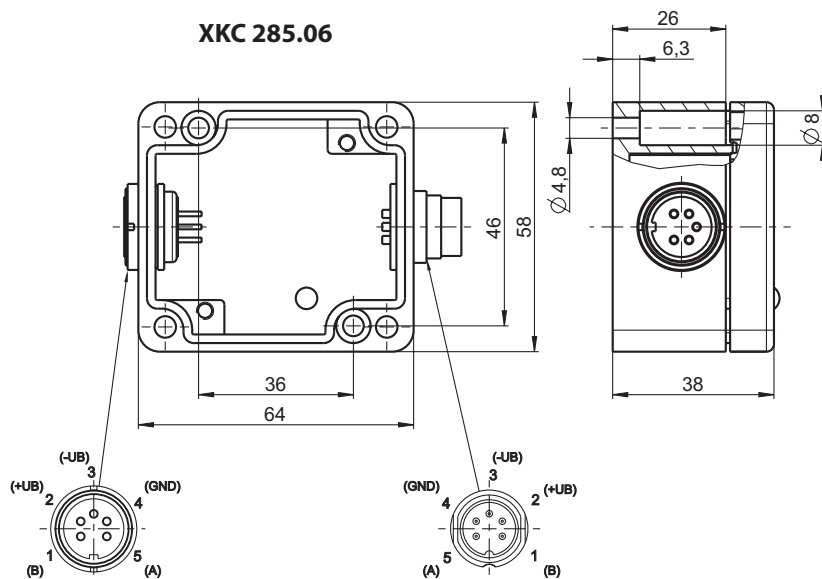
**XKC 285.03**



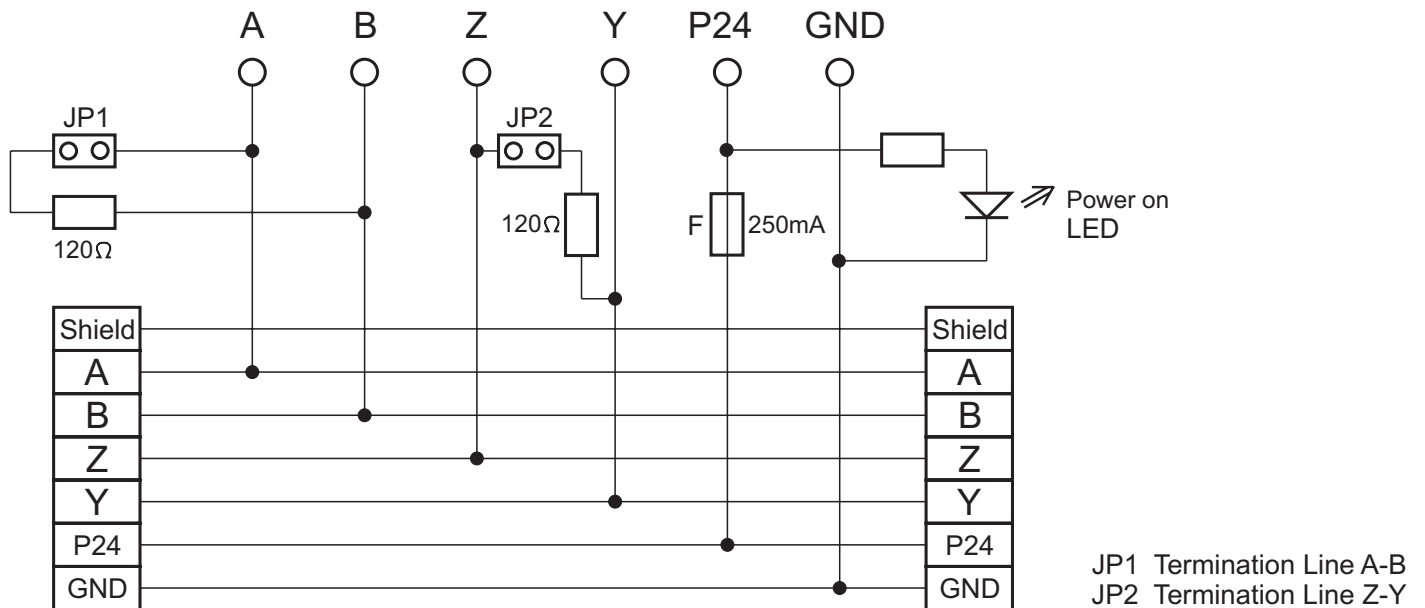
**XKC 285.04**



**XKC 285.05**



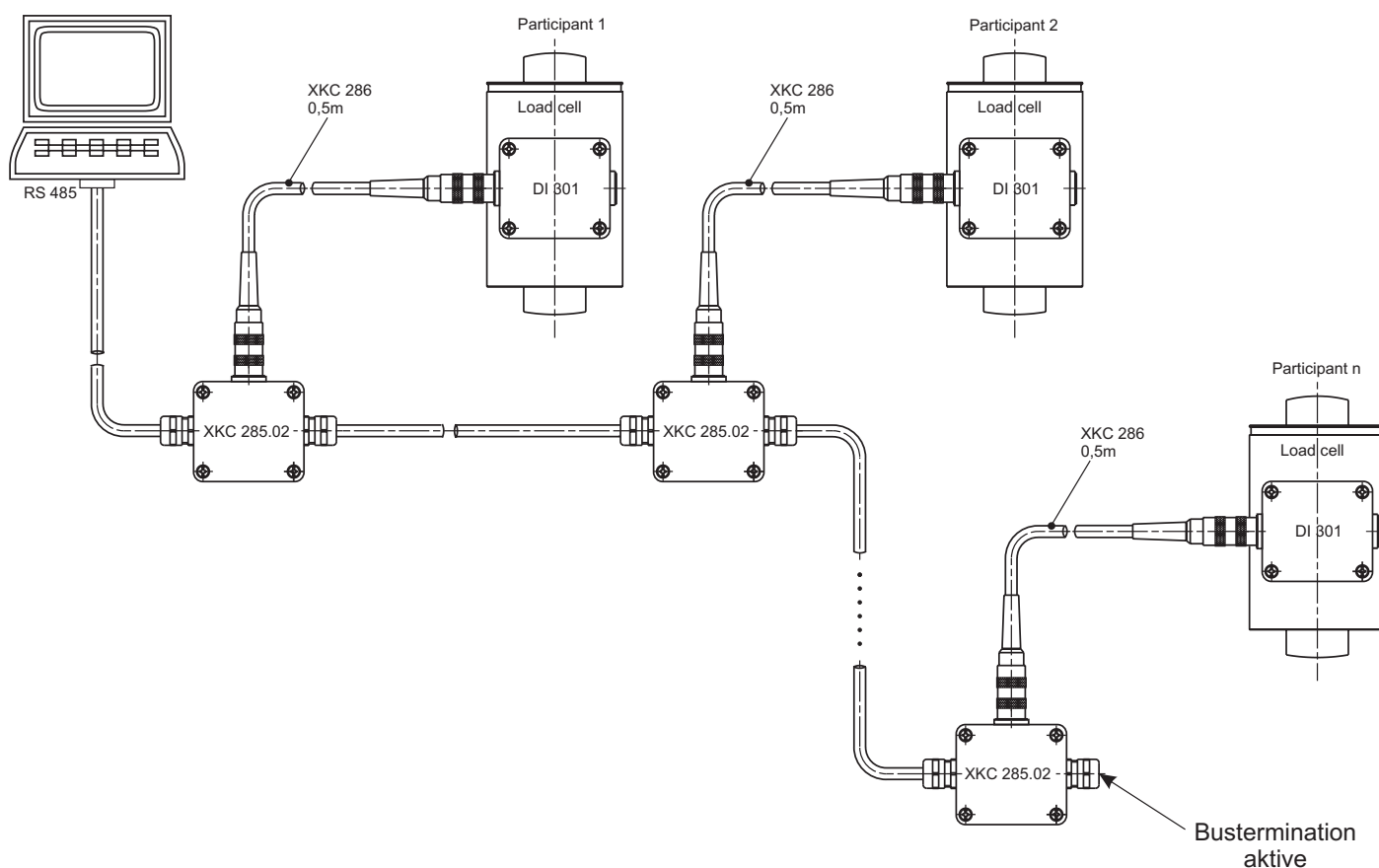
### Prinziple overview / Pin assignment



### Specifications

Parameter	Conditions	Data
Nominal input voltage $U_{in}$	EN 60 950/ UL 1950	100 ... 240V AC 100 ... 353V DC
Input voltage range $U_{in}$		85 ... 264V AC 100 ... 373V DC (UL ... 353V DC)
Input frequency $f_{in}$		50 ... 400Hz
EMI / RFI		EN 55 011/B, EN 55 022/B
Switching frequency $f_{sw}$		90 kHz typ.
Output voltage		24V DC
Output current		see type code

## Example of installation



## Type code

Type code	Description
XKC 285.01	Bus connection node, output participant cable gland PG7
XKC 285.02	Bus connection node, output socket 5-pin
XKC 285.03	Bus connection node, output participant cable gland PG7 incl. power pack 230VAC / 24V 0,6A for 6 participants
XKC 285.04	Bus connection node, output socket 5-pin incl. power pack 230VAC/ 24V/ 0,6A for 6 participants
XKC 285.05	Bus connection node, plug and socket 5-pin incl. power pack 230VAC/ 24V/ 1,0A für 10 participants
XKC 285.06	Bus connection node, plug and socket 5-pin

## Accessoires/ Options

	Type code	Description
Cable	XKC 286	Stub bus connection node XKC 285.02 – DI301, 0,5m, 5-pin, shielded
Software		ast-RS485_V1.dll