

XKC 115 Load Cell Simulator

Applications

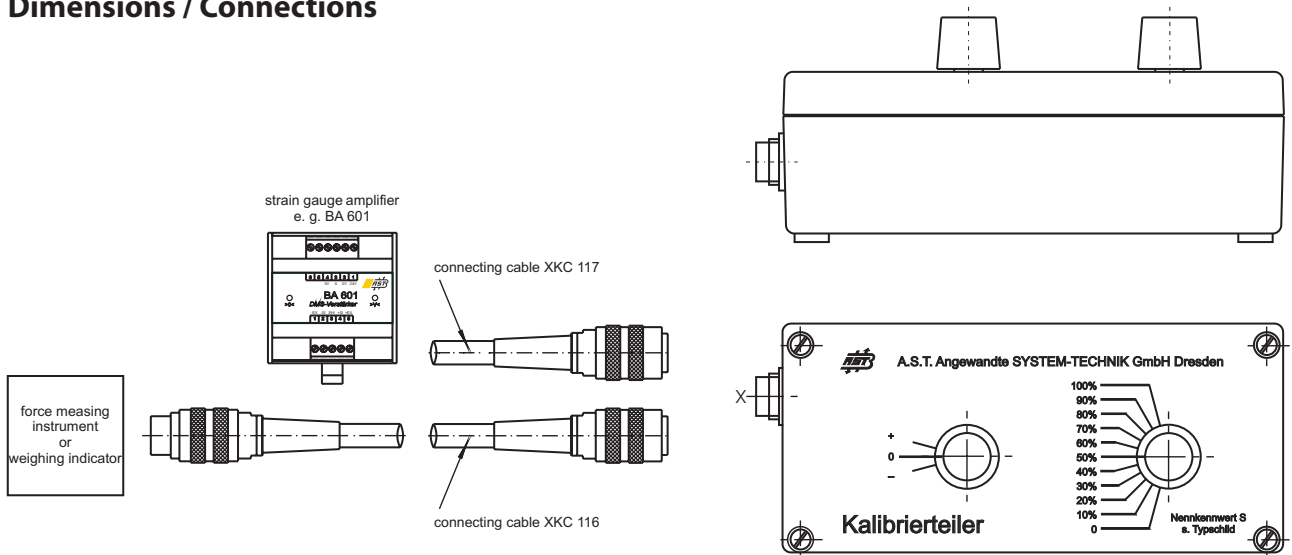
- Simulation of load cells/
force transducers
- easy to use



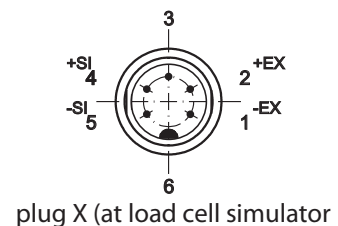
Features

- Variable range in 10% steps
- Rated output 1, 2 or 3mV/V,
polarity reversible
- Accuracy class 0.02%
- indispensable for precise adjustment
of amplifiers and displays

Dimensions / Connections



Connection cable		XKC 116	XKC 117	
Contact		PIN	PIN	Acc. to DIN
Excitation voltage (+EX)		2, 3	2, 3	brown
Excitation voltage (-EX)		1, 6	1, 6	yellow
Signal (+SI)		4	4	green
Signal (-SI)		5	5	white
Shield (SHI)				black



Specifications

		XKC 115.01	XKC 115.02	XKC 115.03
Simulated load (=S)	mV/V	1	2	3
Adjustment range of output voltage	%S	0, 10, 20, 30, 40, 50, 60, 70, 80, 90, 100		
Rated value of excitation voltage	VDC	10		
Excitation voltage range	VDC	2 ... 12		
Frequency range	Hz	0 ... 225		
Input resistance (Re)	Ω	350 ±5		
Output resistance (Ra)	Ω	350 ±5		
Referene conditions				
Temperature	°C	23 ±2K		
Relative humidity	%	45 ... 75		
Environmental conditions				
Operating temperature range	°C	- 10 ... +50		
Storage temperature range	°C	- 40 ... +70		
max. relative humidity	%	90 (kondensierend)		
Error informations				
Calibration error on nominal and reference conditions	%S	≤0.02		
Nonlinearity on reference conditions and within operating temperature range	%S	≤0.02		
Temperature error of transfer factor	%S/10K	≤0.01		
Temperature error of zero point	%S/10K	≤0.01		
General informations				
Weight	kg	0.8		
Dimensions (L x W x H)	mm	175 x 80 x 85		
Environmental protection to EN 60529		IP 40		

Order Example

Type code	Description
XKC 115.01	Load cell simulator 1mV/V
XKC 115.02	Load cell simulator 2mV/V
XKC 115.03	Load cell simulator 3mV/V

Accessories (included in delivery)

	Typ code	Description
Connecting cable	XKC 116	Connecting cable with 6 pin connector, 1.5 m
	XKC 117	Connecting cable with free connector ends, 1.5 m
Carriage case	XKM 258	Case for calibration unit XKC 115