

SPC Service Platform Computer

Application

- Data Logger
- Upload to web backend possible (via mobile network or LAN)
- Visualization via web frontend (local or backend)
- Application according to customer specification



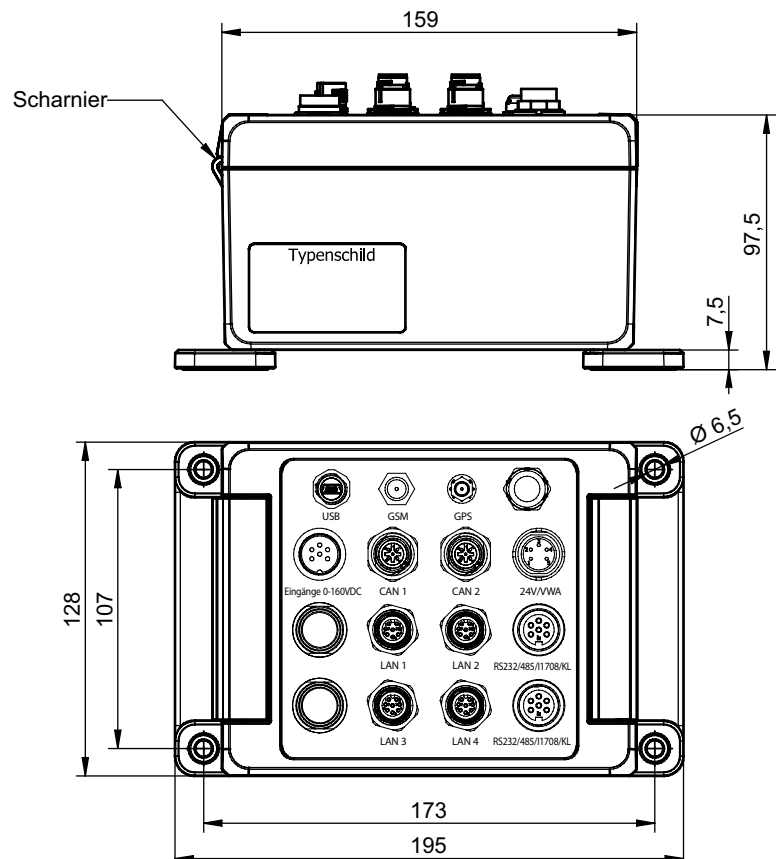
Features

- adapted embedded Linux with customer-specific applications
- integrated UPS for secure shutdown and notification via upload
- Interfaces to fieldbuses, analog inputs, GPS, GSM, Ethernet and more
- Local time series database for storing logged data
- Mobile radio modem for data transmission
- 2 CAN-Master
- with Software

Options

- Data transmission to backend

Dimensions (mm)



Spezifikationen

Electronic		min.	max.
Battery input voltage	V	9	36
Current consumption at 24VDC	mA		925
min. Current consumption at 24VDC	mA		250
UPS (Supercap)	sec		20
Processor clock frequency (i.MX6 Dual)	MHz		800
Memory Flash (eMMC)	GB		4
Memory Flash (Micro-SD)	GB		16
Memory RAM (DDR3)	GB		1
Mobile Communications			
Bands	LTE (FDD) B1/ B2/ B3/ B5/ B7/ B8/ B20 DC-HSPA+/ HSPA+/ HSPA/ UMTS: 850/ 900/ 1900/ 2100 MHz GSM/ GPRS/ EDGE: 1900/ 1800/ 900/ 850 MHz		
GPS	GPS7 A-GPS		
Performance classes	LTE: +23dBm (3GPP TS 36.101 R8 Class 3) UMTS: +24dBm (Power Class 3) EDGE 1900/ 1800MHz: +26dBm (Power Class 2) EDGE 900/ 850MHz: +27dBm (Power Class E2) GSM/ GPRS 1900/ 1800MHz: +30dBm (Power Class 1) GSM/ GPRS 900/850MHz: +33dBm (Power Class 4)		
SIM Card	Micro-SIM		
Environmental Conditions			
Ambient temperature range	°C	-25 ... +85 (T3 gemäß EN 50155)	
Ambient temperature range (mobil communication/ LAN)	°C	-25 ... +70 (T1 gemäß EN 50155)	
Storage temperature	°C	-40 ... +85	
Environmental Protection		IP 65	
Climate model		EN 50155	
Vibration test		EN 50155	
Fire protection		Housing G-ALSi12/ DIN 5510-2	
EMV		Regulation No. EMV06/ EN50121-3-2	

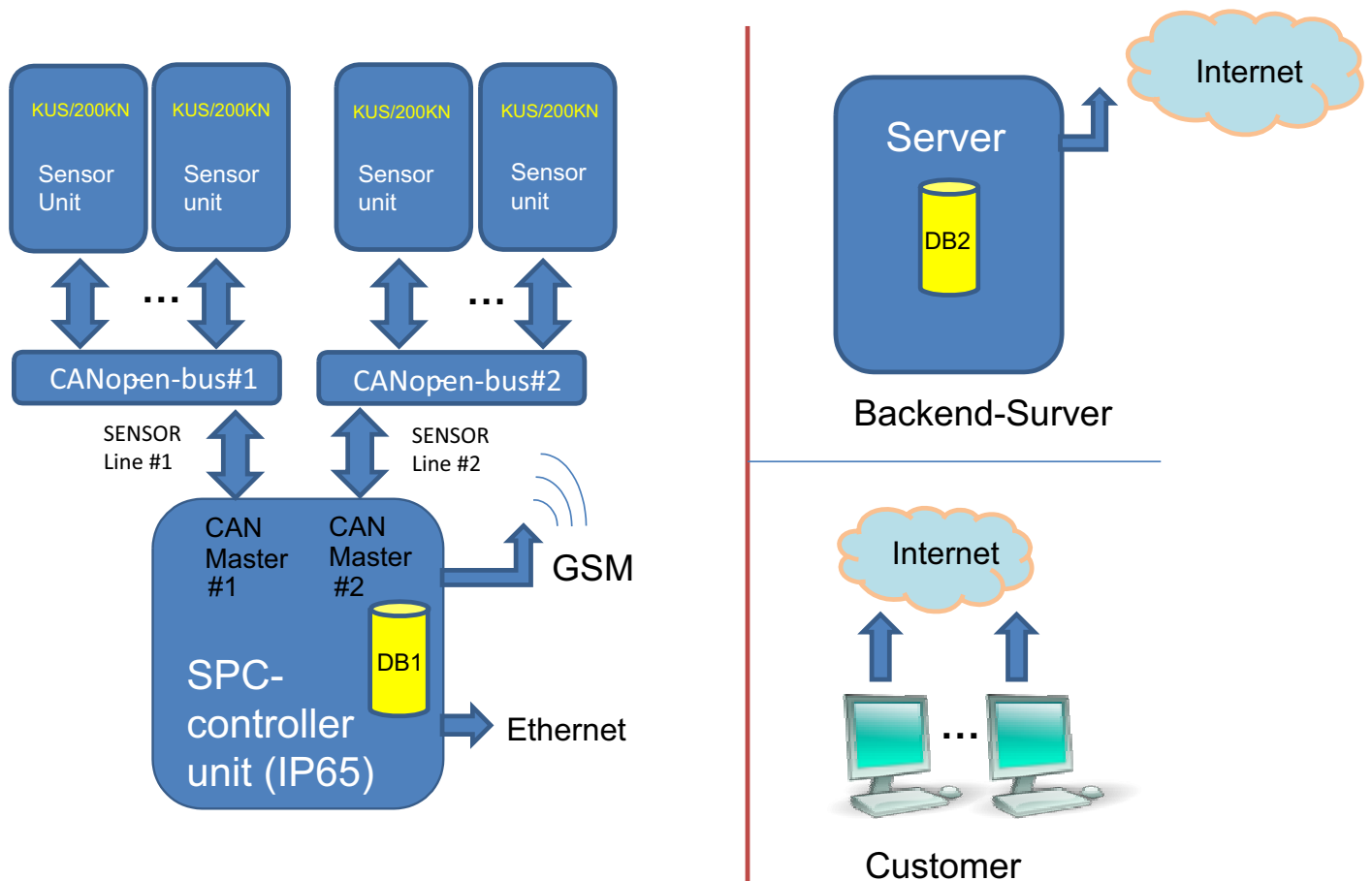
Order Example

Type code	Description
SPC	Service Platform Computer

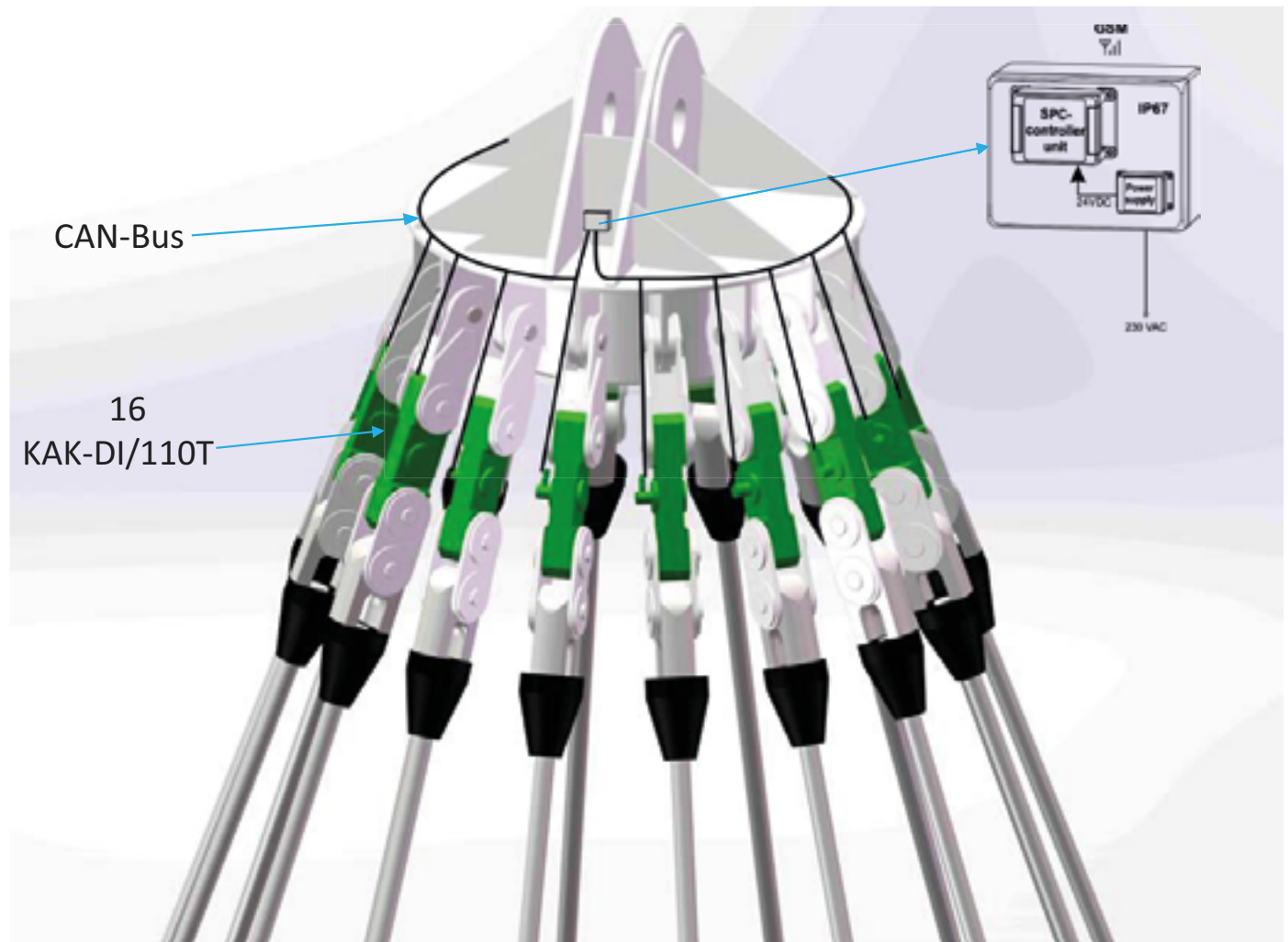
System configuration (example)

Advantages of the A.S.T. system solution:

- Easy installation of load cells in different lines (groups)
- Single cable solution for power and data cables (CANopen)
- Extremely reduced cable length and wiring
- Data concentrator / collector with internal database and GSM module
- Secure data storage in a cloud computing system
- Worldwide access via the Internet (if required)
- Professional maintenance
- Fast problem solution
- Flexibly adaptable and expandable system



Application example:



PC (optional)

Status	Sensor ID #	Force [kN]	Temperatur [°C]
●	S1	511	21.4
●	S2	702	21.5
●	S3	546	21.5
●	S4	630	21.4
●	S5	578	21.5
●	S6	549	21.6
●	S7	711	21.4

(only exemple)

