

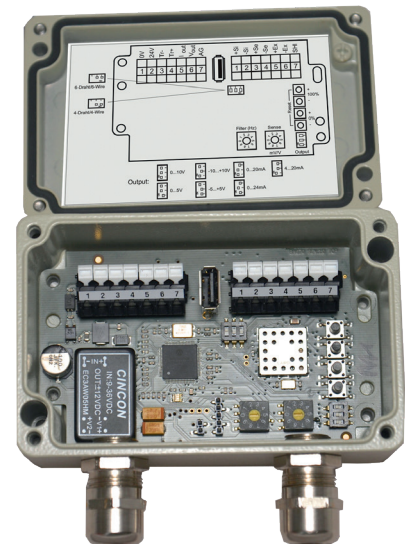
BA 660/IP66 Strain Gauge Measuring Amplifier

Applications

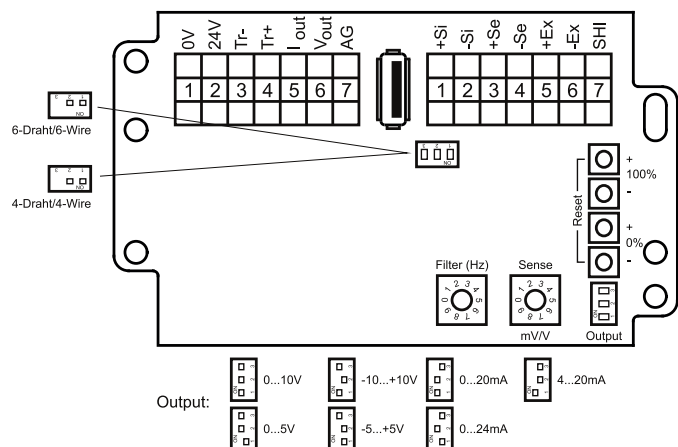
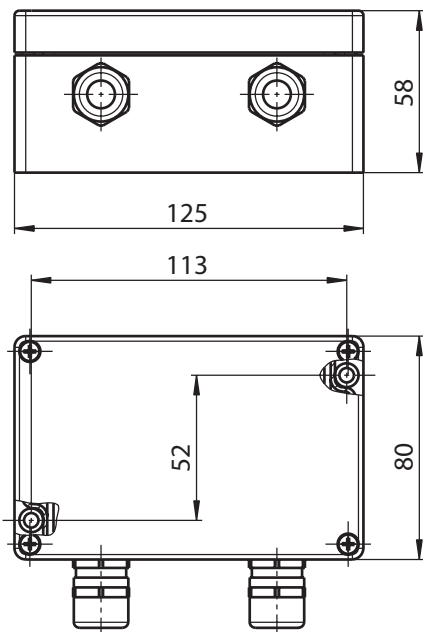
- Strain gauge measuring
- Process control
- Industrial automation
- Testing machines

Features

- Universal applicable via wide input range
- Manually adjustable or via USB with ASTAS software (not included)
- High precious 24 bit A/D-converter
- Conversion rate up to 3.2 kHz
- Filter from 0.8 Hz to 2.0 kHz
- Power supply 9 to 36 V galvanic isolated
- 4 or 6- wire technique
- Trigger input for zero point adjustment
- Simple handling

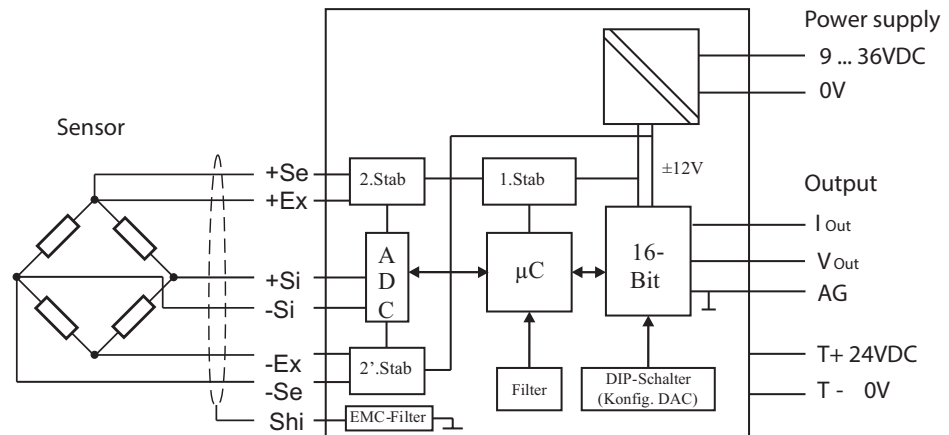


Dimensions/ Connections



Switch setting	0	1	2	3	4	5	6	7	8	9
Measuring range (mV/V)	0.1	0.25	0.5	1.0	1.5	2.0	3.0	4.0	5.0	7.0
Filter (Hz)	0.8	2.4	8.3	25	67	156	385	625	1315	2000

Principle Overview



Specifications

Class of Accuracy at Input Signal 2mV/V	% FSR	< 0.02 (typ.)	
Connection for strain gauge sensor		4- or 6-wire	
Bridge resistance/ range of input impedance	Ω	58 ... 2000 (up to 6 loadcells each 350 Ω)	
Input signal range (+Si/-Si)	mV/V	0.1/ 0.3/ 0.5/ 0.9/ 1.2/ 1.6/ 2.0/ 4.0/ 7.0	
Excitation voltage (+Ex/-Ex)	VDC	± 2.5	
Norm Output			
Current output	mA	0/ 4 ... 20/ 0 ... 24	
Voltage output	V		-10/ -5 ... 0 ... +5/ +10
Load resistance	Ω	≤ 350	≥ 1000
Measurement Characteristics			
Resolution of the A/D Converter	Bit	24	
Filter	Hz	0.8 ... 2000	
Error at S=2mV/V			
Nonlinearity	% FSR	0.0025	
Noise (at measurement rate)	% FSR	0.002 (0.8Hz) ... 0.009 (2000Hz)	
Input sensitivity for 1 LSB	nV	150	
Zero drift	%/10K	< 0.01	
Power Supply			
Voltage range	VDC	9 ... 36	
Power consumption (without sensor)	W	1	
Environmental Conditions			
Operating temperature range	°C	-20 ... +60	
Storage temperature range	°C	-25 ... +85	
Construction			
Case		Aluminium die-cast	
Weight	kg	0.5	
Dimensions (W x H x T)	mm	125 x 80 x 57	
Environmental protection (EN 60529 / DIN 40050-9)		IP 66	
Terminal block, wire size	mm ²	0.14 ... 1.5	

Order Example

Type Code	Description
BA660/ IP66	Strain gauge measuring amplifier aluminium die-cast