

AE 903 Fast Display

Applications

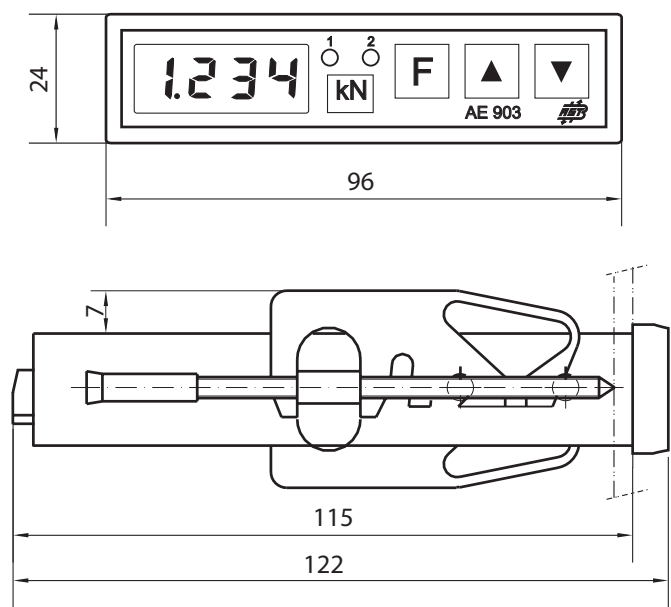
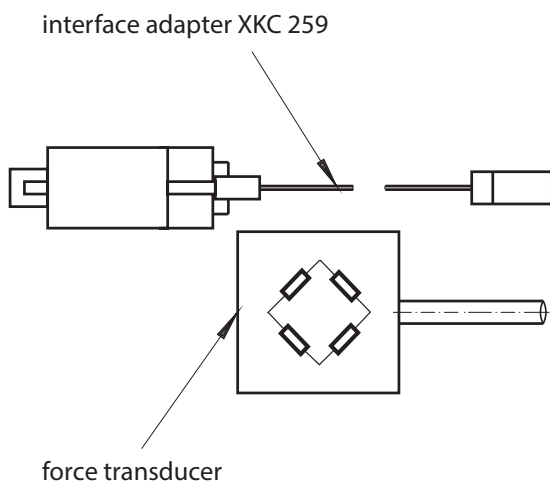
- Peak hold display
- Suitable for panel mounting

Features

- Measuring rate 320/sec
- Serial interface RS232
- 2 set points
- Analogue output 0 ...4V



Dimensions / Connections



Specifications

Display unit type		AE 903.21
		4-digit LED range -999 ... 9999
Input		
Input signal range S *)	mV/V	0.5 / 1.0 / 2.0 / 4.0
Transducer excitation	VDC	ca. 10
Input impedance range		max. 2 parallel geschaltete DMS-Vollbrücken (150 ... 350 Ω)
Display		
Display height	mm	7.62
Count by step		1 / 2 / 5
Display resolution at full scale	div.	approx. 2000
Display modes		Instantaneous value (= average over 50ms to 800ms) maximum value, overload, underload Indication of condition of limit switch by means of two LED whole display range
Tare		
Display rate	1/s	20
Max. measuring rate	1/s	320
Internal Resolution	div.	>2000
at input signal range S=2mV/V		
Noise at S=2mV/V		approx. 1 (when averaging 50 ms)
Output		
Analogue output		0 ... 4V - display range freely selectable
Set points		2 isolated relay outputs 42V/0.1A
Serial interface		RS 232
measured values transmission	1/s	1 start bit, 8 bit data length, 1 stop bit, 9600 or 19200 baud 320 at 19200Bd or 160 at 9600Bd
Power supply		
Supply voltage / Current consumption	VDC/mA	18/ max.160 ...30/ max.100
Switch on current at 24V	A	approx. 1 (20ms)
Environmental conditions		
Operating temperature range	°C	0 ... +50
Storage temperature range	°C	-20 ... +70
Errors at S=2mV/V		
Display error	%S	±0.2 ... ±0.5
Data through serial interface	%S	±0.5
Temperature effect on output	%S/10K	typ ±0.05, max ±0.1
Temperature effect on zero	%S/10K	±0.1
Construction		
Dimensions (W x H x D)	mm	96 x 24 x 122
Panel cut out	mm	92±0,2 x 22±0.2
Weight	g	ca. 150
Environmental protection (EN 60529)		IP40 (frontseitig)
Connectors: transducer, analogue output, supply voltage, relay output, Trigger		8 pin screw terminal strip, (0.14 ... 1)mm ²
Connectors: Serial Interface, keyboard		2*5 pin connector, 2.54mm

*) S = full scale

Order Example

Type code	Serial interface	Supply voltage 18 ... 30 VDC
AE 903.21	RS 232 non-isolated	non-isolated

Accessories

	Type code	Description
Software	XKS 030	PC-software for AE 903 for displaying and saving measuring data
Documentation		Documentation on CD-ROM

Options

	Type code	Description
Adapter	XKC 259	Interface adapter AE 903 - RS 232
Adjustment/Scaling	XKE 801	Adjustment/Scaling (see also calibrations)